

Compact Magnetic, Liquid Level Gauge - CMLG

Is compact and lightweight magnetic liquid level gauge for visual level indication of liquids & is specially designed for low pressure, light duty applications.

Specifications :

Installation	: Side
Range (CC dist)	: Min 0 ~ 200mm, Max 0 ~ 2000mm
Level Indication	: a) Bicolor Rotating (White & Red) PP Flappers -150°C or SS Flappers - 250°C b) Red PP Follower Capsule - 150°C in borosilicate glass tube (water filled)
Float Chamber	: Ø 42 in SS304 / SS316
Float MOC	: SS316
Float Size	: Ø 33 x 250L
Calibrated Scale	: Polycarbonate, LC=10mm
Vent x Drain	: ¼" Threaded Plugs / ½" Valves
Process Conn.	: 15/20/25NB, flange to BS/ANSI/DIN std
Temp. Range	: -10 to 250°C
Max Test Pressure	: 5Kg/cm ²
Max Liquid Density	: 0.8g/cm ³

Accessories :

A) Adjustable Switch

Enclosure x Cable Gland: Epoxy potted or Cast AL IP66 x PG 9 (Polyamide) or Cast AL Ex-p Gr IIB x ½" NPT (Brass)

Switch rating x Form : 40VA x N/O or 60VA (SPDT)

Switch rating x Form : 5A, 230 VAC (SPDT)

Bistable Reed Switch

Enclosure x Cable Gland: Plug-in connector

Switch rating x Form : 60VA (SPDT)

Bistable Micro Switch

Enclosure x Cable Gland: Cast AL, WP- IP66 x PG 9 (Polyamide) or Cast AL, Ex-P Gr IIB x ½"NPT (Brass)

Switch rating x Form : 5A, 230 VAC (SPDT)

B) Transmitter

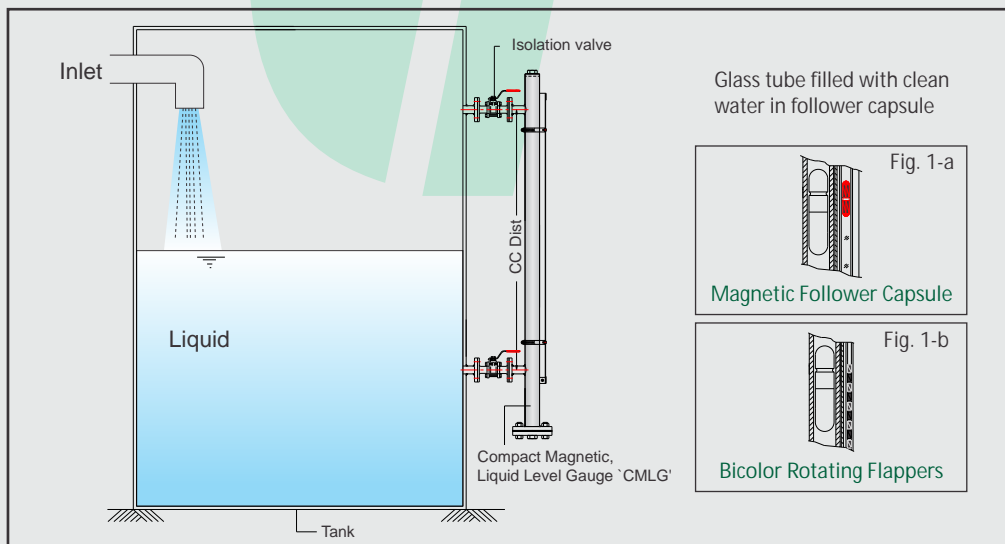
Wiring system : Two wire

Resolution : ±12 or ±6 mm

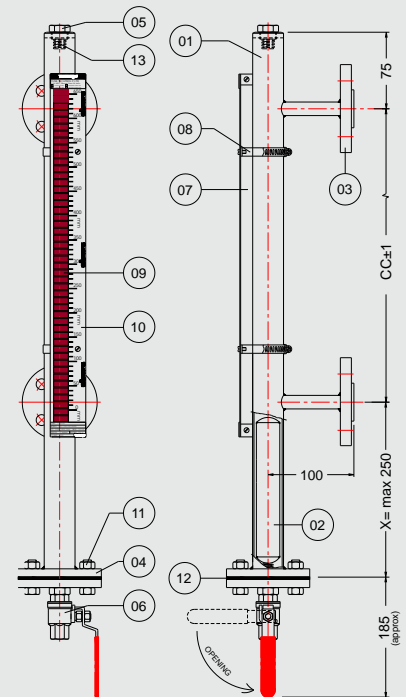
Out put : 4-20 mA DC

Enclosure x Cable Gland: Cast AL, IP66 x PG 9 (Polyamide) or Cast AL, Ex-p Gr IIB & IIC x ½"NPT (Brass)

Installation :



Construction :



- 01) Liquid Chamber
- 02) Float
- 03) Process Flange
- 04) Chamber Flange
- 05) Vent Plug
- 06) Drain Valve
- 07) Local Indicator Housing
- 08) Indicator mtg. clamps
- 09) Local Indicator Flappers
- 10) Calibrated Scale
- 11) Nuts, Bolts & Washer
- 12) Gasket
- 13) Float Retainer (Spring)

Model Identification :

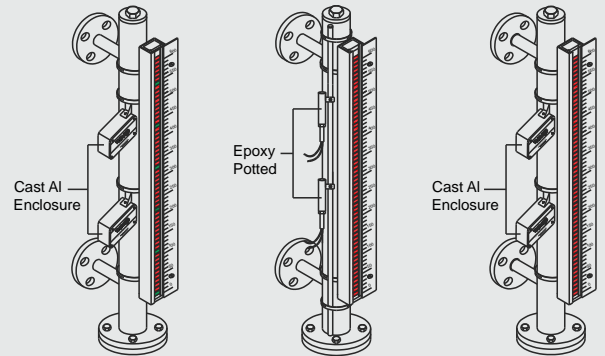
	CMLG							X CC Dist. (mm)
Wetted Parts								
SS 304	N							
SS 316		S						
Chamber Type								
Top cap with bottom flange	A							
Top & bottom flanges		B						
Others		O						
Process Connections								
Flanged	F							
Screwed		S						
Union		U						
Vent x Drain								
1/4"Plug x 1/4"Plug	1							
1/4"Plug x 1/2"Ball Valve		2						
Others		O						
Visual Indicator								
Not Provided						W		
Magnetic Follower Capsule - (PP-150°C)						C		
Bicolor Rotating flapper - (Plastic- 150°C)						R		
Bicolor Rotating flapper - (SS-250°C)						S		
Accessories								
Not Provided						W		
Magnetic Switch						1		
X'mitter						2		
Magnetic Switch + X'mitter						3		

Accessories :

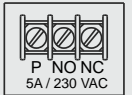
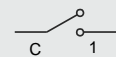
MAGNETIC SWITCHES OPTIONS

Monostable

Bistable



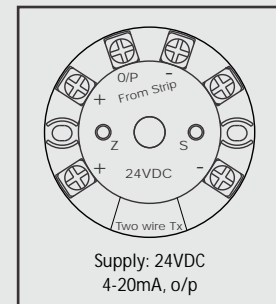
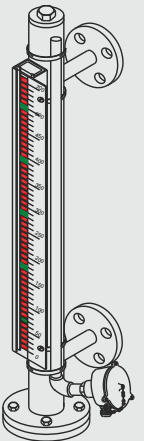
TERMINATION



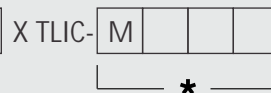
Magnetic Switch								
Epoxy Potted x Monostable x 40VA (N/O)	1							
Cast Al, WP IP-66 - PG 9 x Monostable - 40VA (N/O)		2						
Cast Al, Ex-p Gr IIB - 1/2"NPT x Monostable - 40VA (N/O)		3						
Cast Al, IP-66 - PG 9 x Bistable - 5A, 230 VAC		4						
Cast Al, Ex-p Gr IIB - 1/2"NPT x Bistable - 5A, 230VAC		5						
Others	0							
No of Switches								
One, Two.....Four						1-4		
Others						0		
Level Controller (TLC)								
Not Provided							W	
Provided							C	



X'mitter



X'mitter Enclosure								
Cast Al. IP-66 x PG 9	J							
Cast Al. Ex-p Gr IIB x 1/2"NPT		E						
Others		O						
Resolution								
±12 mm (Std)								
±6 mm (High)								
Level Indicator Controller								
Not Provided							W	
TLIC							C	
TLPI							L	
Others							O	



Service :

Water, Lube oil, Dye Liquor, H2SO4, Phosphoric acid, Solvent, NaOH

Ordering Information : Specify Sp Gr, MIg Model No. X Magnetic Switch Model No. X'mitter Model No. X Cc Dist / Range (mm).

* for TLC - M Refer catalogue on TECHTROL LEVEL CONTROLLER 'TLC'

* for TLIC - M Refer catalogue on TECHTROL LEVEL INDICATOR CONTROLLER 'TLIC'

* for TLPI - Refer catalogue on TECHTROL LOOP POWER INDICATOR 'TLPI'

All dimensions in mm except specified

